

HOTPRINTERS

Hotprint is a reliable technology which enables you to print variable data directly onto packaging film during the production process.

The high-quality print, which adheres immediately, is always extremely sharp, scratchresistant and colour-proof.

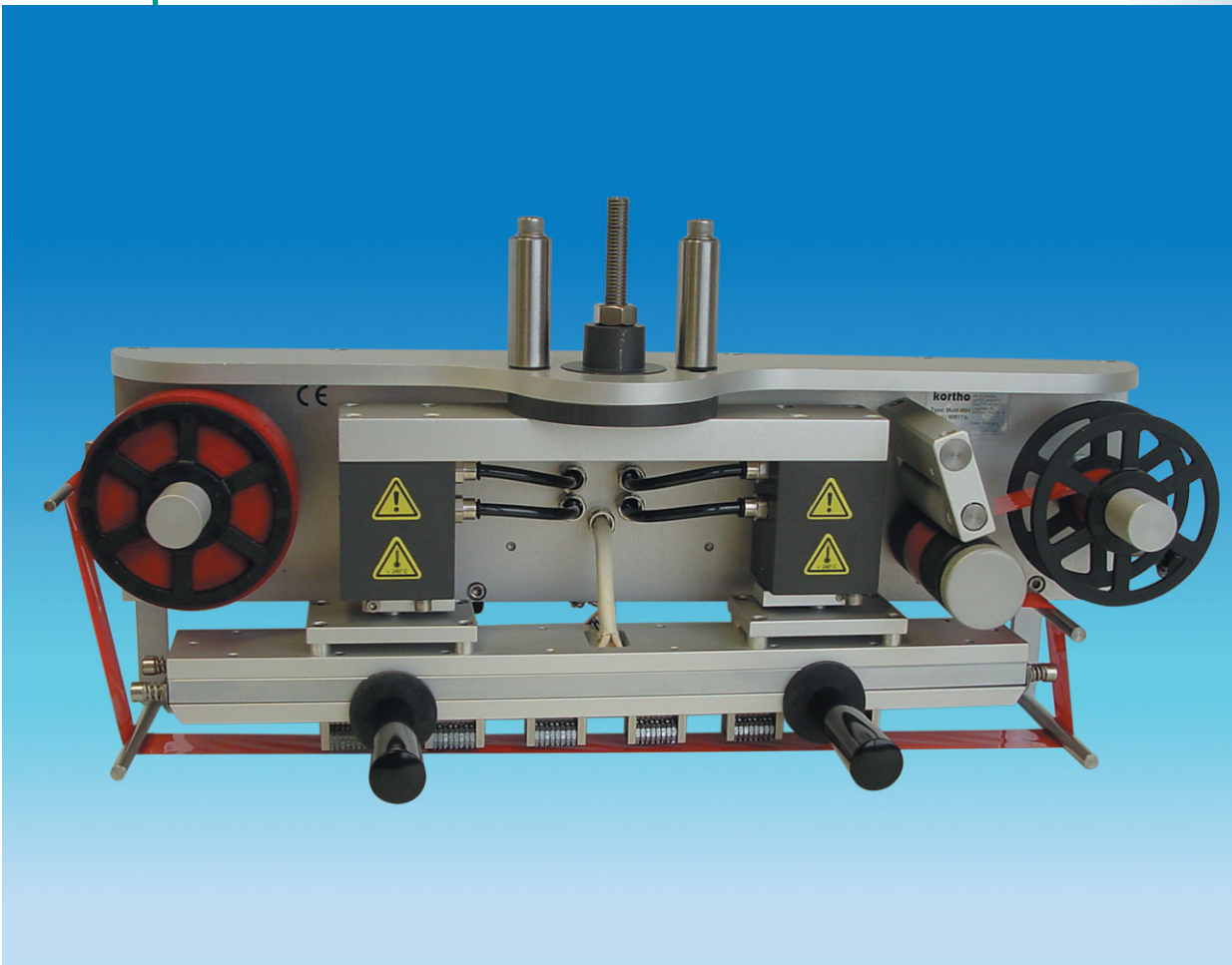
Kortho Hotprinters are characterised by their quality, their economic use of foil, their low maintenance costs and their flexibility. In addition to a number of standard models available from stock, Korthofah is able to provide tailor-made equipment, turning customers' requirements into succesful marking and coding solutions.

The Kortho Hotprinter MLP (Multi-Lane-Printer) is a special model that completes the existing range of standard Kortho Hotprinters.

The MLP has the following characteristics:

- Prints 2 upto 12 packages in one cycle, like a date or production code.
- Prints also recycling logos and/or small texts
- All texts/logos mounted on one typeholder, simple change of i.e. a date within minutes
- Uses one single roll of hotfoil ribbon
- Very economic use of hotfoil, thanks to optimal adjustable foil feed.
- Industrial design ensures reliability under a wide variety of operating conditions.
- Requires minimum maintenance and is user friendly
- Printing area 420 x 50 MM.

Typical applications are vertical Form-Fill-Seal machines, packing pouches for ketchup, shampoo, spices and many other products. But also on horizontal vacuum forming machines the MLP is an ideal, simple and compact solution to apply a sharp print on all lanes simultaneously.

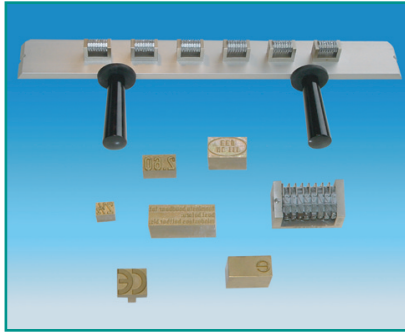


MLP

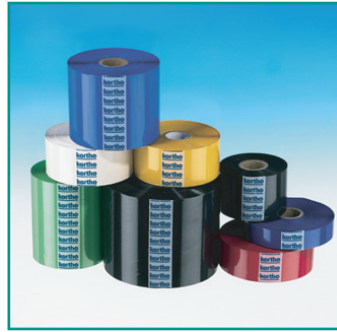
HOTPRINTER MLP

kortho

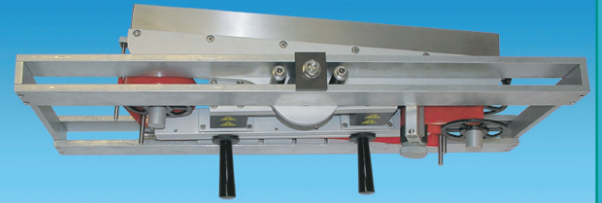
HOTPRINTER MLP



Various combinations possible on one textholder, Stamping dies, engraved brass characters, datewheels and/or combinations thereof

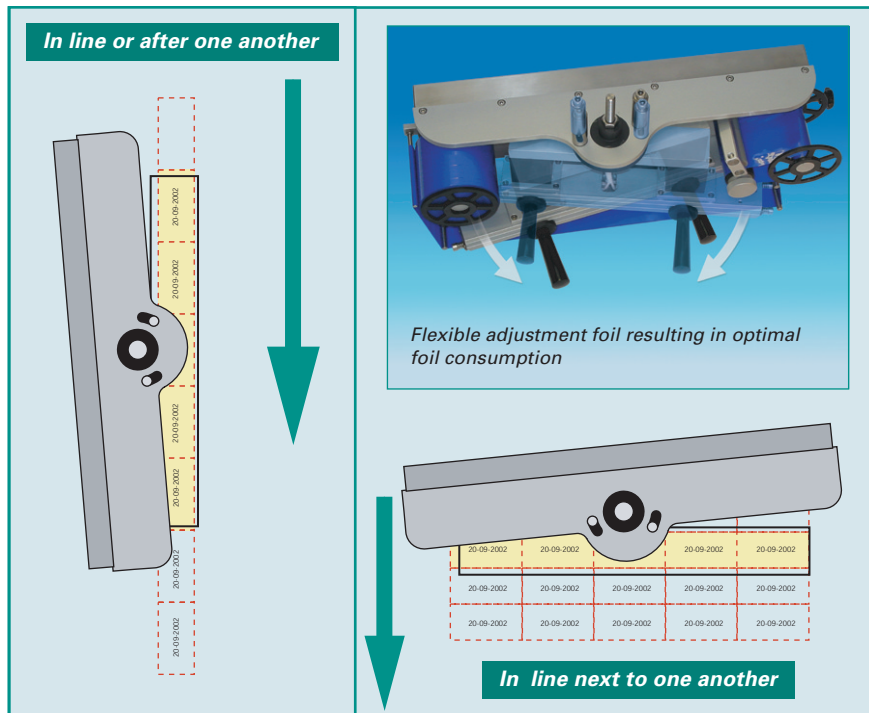


Variety of colours available



Technical specifications

- Maximum printing area (mm)**
420 x 50
- Maximum coding speed (prints / min.)**
200/min
- Stamping pressure at 6 bar (N)**
1.000
- Maximum hotfoil length (metres)**
305
- Maximum hotfoil width (metres)**
85
- Maximum hotfoil transportation (mm)**
140
- Printing temperature (°C)**
80 - 220
- Signal for end of foil**
Standard
- Power supply**
230VAC ± 10% 50-60 Hz,
optional 115VAC ± 10% 50-60 Hz
- Power rating (Watts)**
2 x 250
- Operating pressure (bar)**
6
- Air consumption (litres per cycle)**
0,4 bij 6 bar
- Noise level (dB)**
80
- Main dimensions (mm) with maximum foil feed, Including counter pressure plate**
L 610, W 170, H 213
- Control system**
Kortho Hotprint Controlbox
- Hotfoil standard**
Non-toxic Hotprintfoil
- Industrial standards**
CE-gekeurd

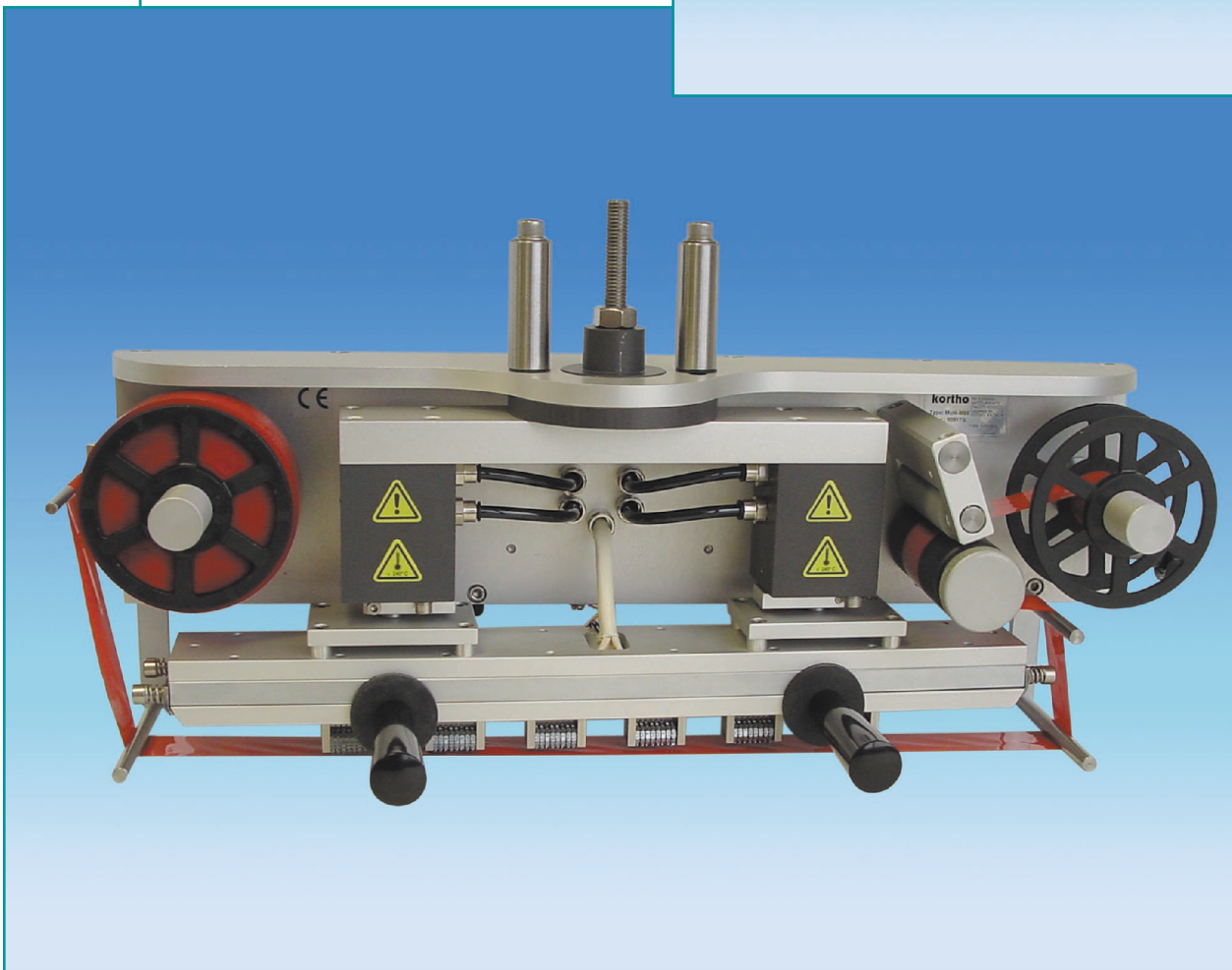
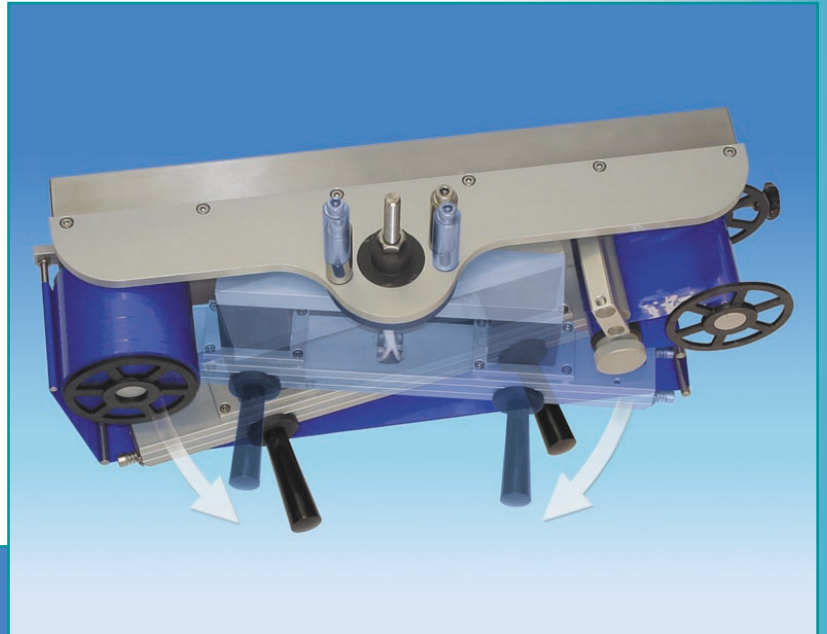
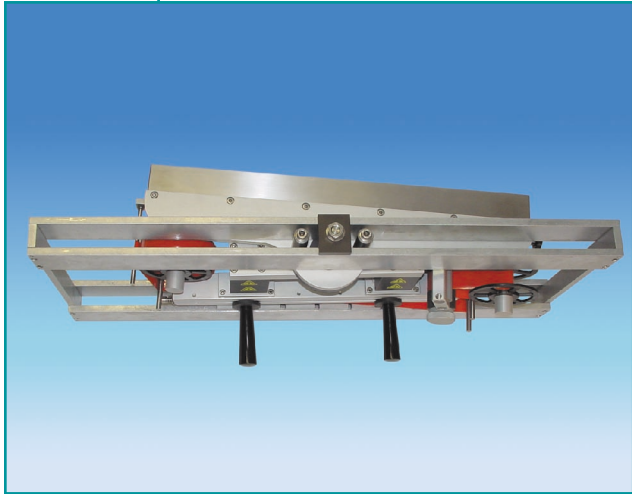


In the light of continuous development and improvement Korthofah reserves the right to modify the specifications of the models without giving prior notice.



Example of optimal foil consumption, 5 dates in one stroke.

HOTPRINTERS



HOTPRINTER MLP

HOTPRINTER MLP (MULTI LANEPRINTER)