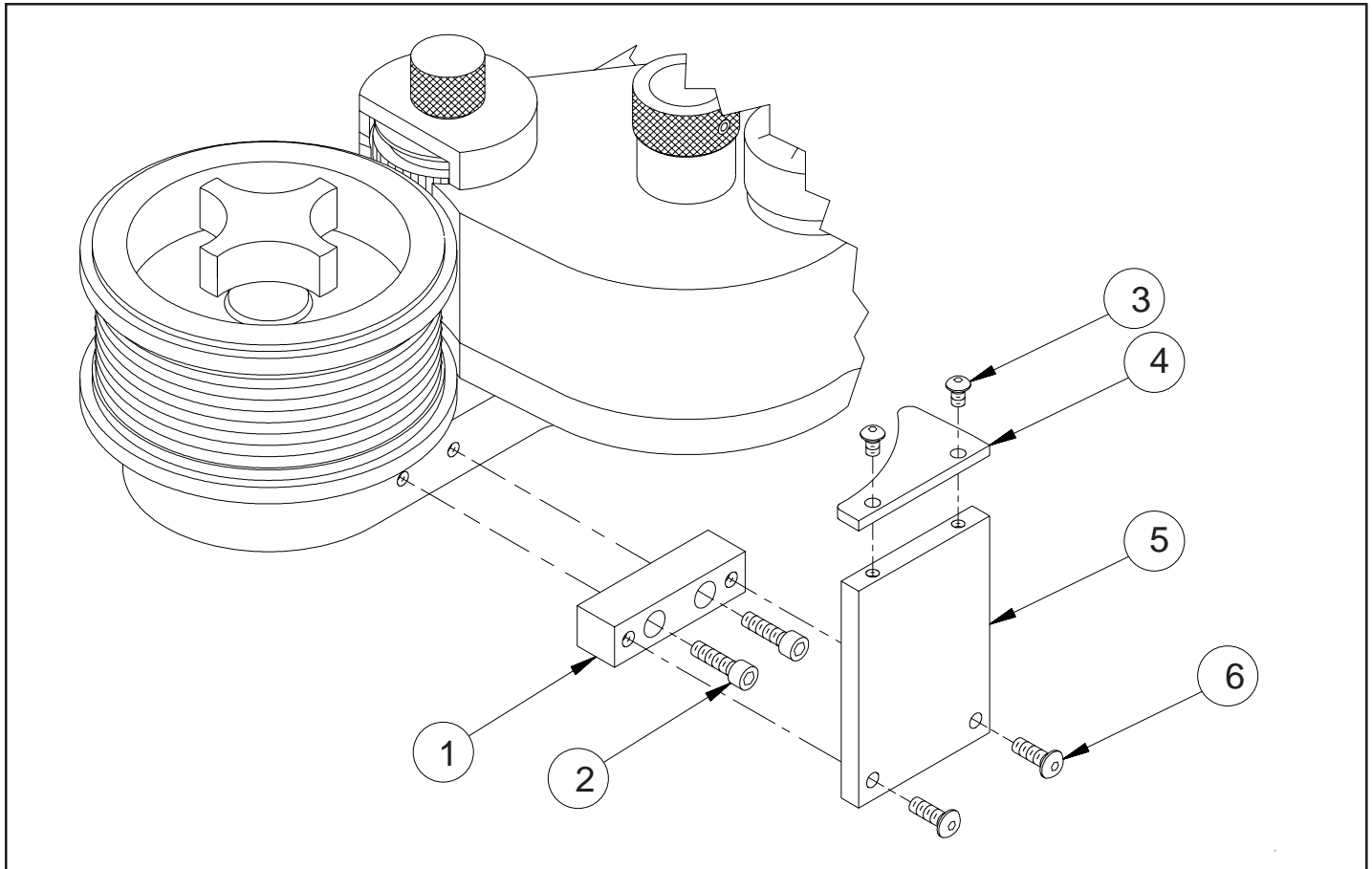


February 26, 2002

UNIVERSAL NON-POROUS MIDSIZE CODERS  
MS-120, MS-150, MS-220 & MS-250 SERIES  
INDEXING & NON-INDEXING

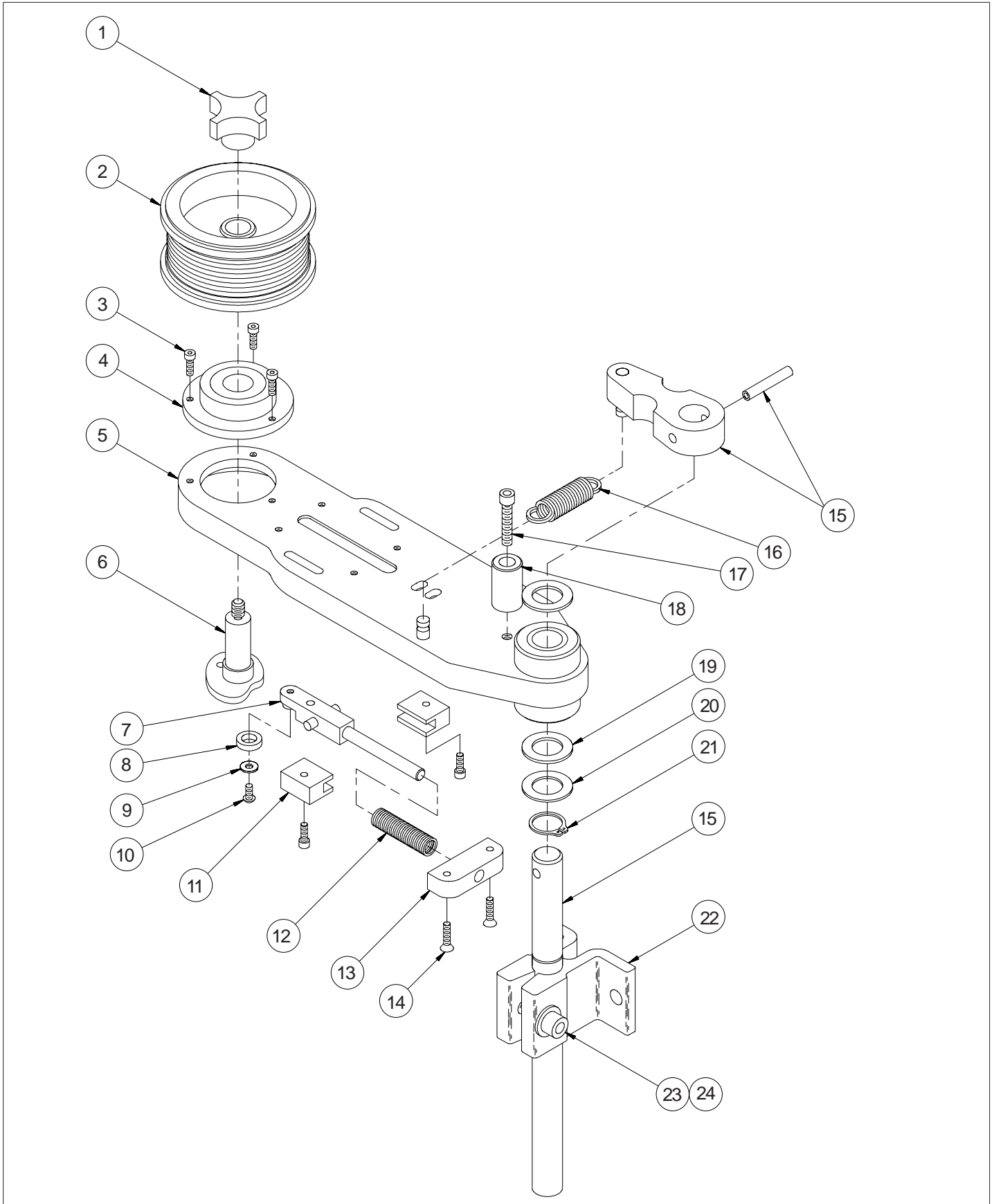
### NON-POROUS MIDSIZE CODER CE GUARD ASSEMBLY



### NON-POROUS MIDSIZE CODER CE GUARD ASSEMBLY PARTS LIST

KEY NO.	PART NUMBER	QTY. REQD.	DESCRIPTION
1	NP-81	1	STAND OFF, MS-120 & MS-220
	NP-76		STAND OFF, MS-150 & MS-250
2	NP-77	2	SCREW, 8-32 X 3/4" SHC
3	NP-66	2	SCREW, 6-32 X 1/4" BHC
4	NP-79	1	END PLATE, MS-120 & MS-220
	NP-74		END PLATE, MS-150 & MS-250
5	NP-82	1	TOP PLATE, MS-120
	NP-78		TOP PLATE, MS-150
	NP-80		TOP PLATE, MS-220
	NP-75		TOP PLATE, MS-250
6	HP-10	2	SCREW, 8-32 X 1/2" BHC

# NON-POROUS MIDSIZE CODER ASSEMBLY

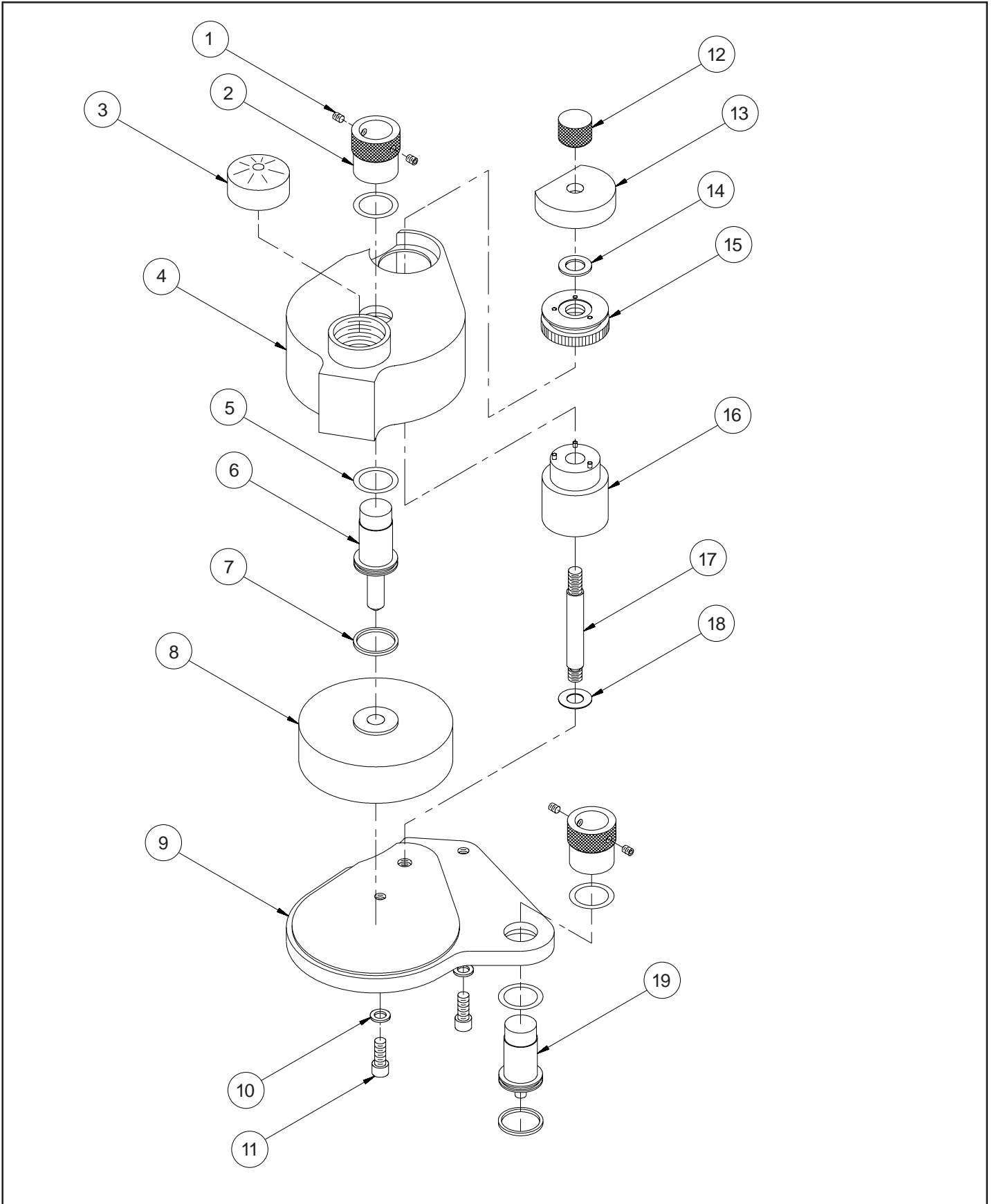


## NON-POROUS MIDSIZE CODER PARTS LIST

KEY NO.	PART NUMBER	QTY. REQD.	DESCRIPTION
1	MRM-CL20	1	KNOB, PRINT DRUM
2	MSC-120-PDA-NP	1	MS-120 NON-POROUS PRINT DRUM ASSEMBLY
	MSC-150-PDA-NP		MS-150 NON-POROUS PRINT DRUM ASSEMBLY
	MSC-220-PDA-NP		MS-220 NON-POROUS PRINT DRUM ASSEMBLY
	MSC-250-PDA-NP		MS-250 NON-POROUS PRINT DRUM ASSEMBLY
	MSC-120-PDA-NP-T		MS-120 NON-POROUS PRINT DRUM ASSEMBLY, METRIC
	MSC-150-PDA-NP-T		MS-150 NON-POROUS PRINT DRUM ASSEMBLY, METRIC
	MSC-220-PDA-NP-T		MS-220 NON-POROUS PRINT DRUM ASSEMBLY, METRIC
	MSC-250-PDA-NP-T		MS-250 NON-POROUS PRINT DRUM ASSEMBLY, METRIC
3	MS-36	5	SCREW, 8-32 X 1/2" SHC (FOR INDEXING MODELS)
		3	SCREW, 8-32 X 1/2" SHC (FOR NON-INDEXING MODELS)
4	MSC-BHA	1	BEARING & HUB ASSEMBLY
5	MSC-BPA	1	BASEPLATE ASSEMBLY
6	MSC-ACA	1	AXLE & CAM ASSEMBLY (FOR INDEXING MODELS)
	MS-28		AXLE, PRINT DRUM (FOR NON-INDEXING MODELS)
7	MSC-CFA	1	CAM FOLLOWER ASSEMBLY
8	MS-18	1	BEARING, CAM FOLLOWER
9	MS-32	1	#8 FLAT WASHER
10	MS-33	1	SCREW, 8-32 X 3/8" BHS
11	MS-04	2	GUIDE, CAM FOLLOWER
12	MS-30	1	COMPRESSION SPRING
13	MS-01	1	GUIDE, COMPRESSION SPRING SHAFT
14	MS-35	2	SCREW, 8-32 X 3/4" FHS
15	MSC-MCA	1	MOUNTING COLUMN ASSEMBLY
16	MS-31	1	TENSION ARM SPRING
17	CF-02	1	SCREW, 1/4-20 X 1-1/4" SHC
18	MS-15	1	STOP, SPRING TENSION ARM
19	CW-05	2	3/4" NYLON FLAT WASHER
20	CW-01	1	3/4" STEEL FLAT WASHER
21	CF-13	1	SNAP RING, 3/4" DIAMETER
22	CM-17	1	MOUNTING BRACKET
23	CF-09	1	SCREW, 3/8-16 X 1-1/2" SHC
24	CW-02	1	3/8" STEEL FLAT WASHER

CONTACT CUSTOMER SERVICE FOR APPLICATIONS REQUIRING DEEP RELIEF RIBTYPE APPLICATIONS.

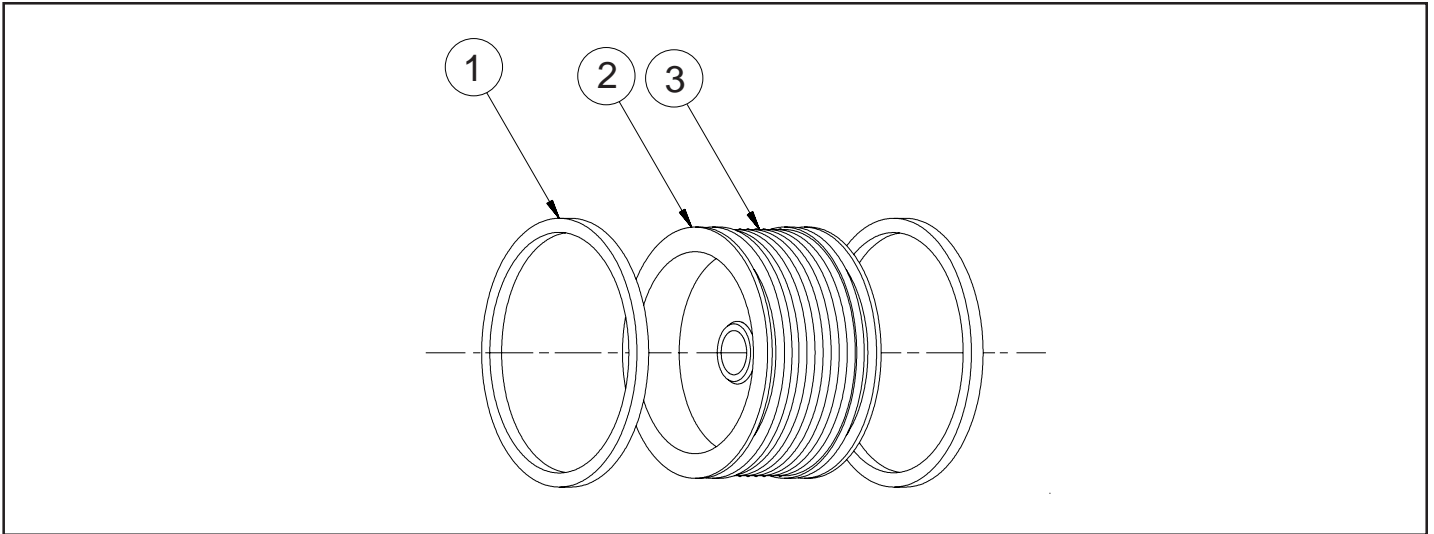
# NON-POROUS MIDSIZE CODER INKING SYSTEM ASSEMBLY



## NON-POROUS MIDSIZE CODER INKING SYSTEM PARTS LIST

KEY NO.	PART NUMBER	QTY. REQD.	DESCRIPTION
1	HP-06	4	SET SCREW, 8-32 X 3/16" CPS
2	NP-19	2	ECCENTRIC KNURLED KNOB
3	NP-29	1	BLACK VINYL CAP
4	MSC-CA-NPLS	1	COVER ASSEMBLY, 1" NP LEFT SIDE
	MSC-CA-NPLT		COVER ASSEMBLY, 1" NP LEFT TOP
	MSC-CA-NPRS		COVER ASSEMBLY, 1" NP RIGHT SIDE
	MSC-CA-NPRT		COVER ASSEMBLY, 1" NP RIGHT TOP
	MSC-CA2-NPLS		COVER ASSEMBLY, 2" NP LEFT SIDE
	MSC-CA2-NPLT		COVER ASSEMBLY, 2" NP LEFT TOP
	MSC-CA2-NPRS		COVER ASSEMBLY, 2" NP RIGHT SIDE
	MSC-CA2-NPRT		COVER ASSEMBLY, 2" NP RIGHT TOP
5	HP-42	4	DELRIN WASHER
6	MSC-IRES	1	1" INK ROLL ECCENTRIC & SHAFT ASSEMBLY
	MSC-IRES-2		2" INK ROLL ECCENTRIC & SHAFT ASSEMBLY
7	NP-21	2	O-RING, ECCENTRIC
8	NP-XC1	1	1" NP XF NEOPRENE INK ROLL
	NP-XC2		2" NP XF NEOPRENE INK ROLL
9	MS-34	1	BASEPLATE, NP LEFT INKING SYSTEM
	MS-06		BASEPLATE, NP RIGHT INKING SYSTEM
10	MS-29	2	DELRIN WASHER
11	MC-02	2	SCREW, 1/4-20 X 5/8" SHC
12	NP-17	1	COVER RETAINING KNOB
13	NP-16	1	DRIVE WHEEL COVER
14	NP-15	1	DELRIN WASHER, DRIVE WHEEL
15	NP-14	1	KNURLED DRIVE WHEEL W/DELRIN WASHER
16	NP-TRA-1	1	1" TRANSFER ROLL ASSEMBLY
	NP-TRA-2		2" TRANSFER ROLL ASSEMBLY
17	NP-05	1	1" TRANSFER ROLL AXLE
	NP-06		2" TRANSFER ROLL AXLE
18	HP-04	1	3/8" BRASS FLAT WASHER
19	MSC-ISEA	1	INKING SYSTEM ECCENTRIC ASSEMBLY

## NON-POROUS MIDSIZE CODER PRINT DRUM ASSEMBLY



### 1" NON-POROUS MIDSIZE CODER PRINT DRUM ASSEMBLY PARTS LIST

KEY NO.	PART NUMBER	QTY. REQD.	DESCRIPTION
1	MS-20	2	BEARER RING, MS-120 & MS-220
	MS-21		BEARER RING, MS-150 & MS-250
2	MS-24	1	PRINT DRUM, NON-POROUS MS-120
	MS-25		PRINT DRUM, NON-POROUS MS-150
	MS-24T		PRINT DRUM, NON-POROUS MS-120 - METRIC
	MS-25T		PRINT DRUM, NON-POROUS MS-150 - METRIC
3	MS-11	1	RIBtype® RING, NON-POROUS MS-120
	MS-12		RIBtype® RING, NON-POROUS MS-150
	MS-11T		RIBtype® RING, NON-POROUS MS-120 - METRIC
	MS-12T		RIBtype® RING, NON-POROUS MS-150 - METRIC

### 2" NON-POROUS MIDSIZE CODER PRINT DRUM ASSEMBLY PARTS LIST

KEY NO.	PART NUMBER	QTY. REQD.	DESCRIPTION
1	MS-20	2	BEARER RING, MS-120 & MS-220
	MS-21		BEARER RING, MS-150 & MS-250
2	MS-49	1	PRINT DRUM, NON-POROUS MS-220
	MS-52		PRINT DRUM, NON-POROUS MS-250
	MS-49T		PRINT DRUM, NON-POROUS MS-220 - METRIC
	MS-52T		PRINT DRUM, NON-POROUS MS-250 - METRIC
3	MS-47	1	RIBtype® RING, NON-POROUS MS-220
	MS-50		RIBtype® RING, NON-POROUS MS-250
	MS-47T		RIBtype® RING, NON-POROUS MS-220 - METRIC
	MS-50T		RIBtype® RING, NON-POROUS MS-250 - METRIC

CONTACT CUSTOMER SERVICE FOR APPLICATIONS REQUIRING DEEP RELIEF RIBTYPE APPLICATIONS.